

CL CABLE KIT : INSTRUCTIONS FOR USE

STARTING FROM THE MONTH OF AUGUST 2021 THE POWER CONNECTION CONNECTORS BETWEEN THE HV BOX AND THE WECO 5K3 BATTERIES WILL BE MODIFIED. THIS TECHNICAL NOTE EXPLAINS HOW TO HANDLE POSSIBLE PROBLEMS BETWEEN DEVICES WITH DIFFERENT CONNECTIONS.

For technical reasons, starting from August 2021 the current Amphenol RADSOK® type power connectors installed on the HV BOX (ref. code ZST-HV-BOX), on the Weco 5K3 batteries (ref. code ZST-BAT-6KWH-W) and the related power cables, will be replaced with Weco POWSOK® type connectors. Although the two connectors types may appear similar to each other, the Amphenol model is not compatible with the Weco model; we therefore ask you to pay attention to the instructions given in this document in order to avoid errors during installation.

1. How to recognize a device with Amphenol connectors from one with Weco connectors?

In order to clearly differentiate devices with different connectors, a green dot-shaped label has been placed on the outer side of the packaging of those devices that are equipped with the new Weco connectors. We therefore ask you to pay attention to the possible presence of this label.

In addition, devices with Weco connectors will be recognizable by the presence of round-shaped black caps protecting the connectors (unlike the red caps used on Amphenol connectors).



2. How to realize the power connections between devices with green dot-shaped label?

Devices that have a green dot-shaped label on the outer packaging (or that have black caps to protect the connectors) are equipped with a Weco connector. The connection of these devices requires the use of the kit normally included inside their packaging.

3. How to realize the power connections between devices without a green dot-shaped label?

Devices that do not have a green dot-shaped label on the external packaging (or that have red caps to protect the connectors) are equipped with an Amphenol connector. Also in this case the connection of the devices requires the use of the kit normally included inside their packaging.

4. How to realize the power connections between HV BOX with green dot-shaped labels and all of the batteries are without green dot-shaped label (and vice versa)?

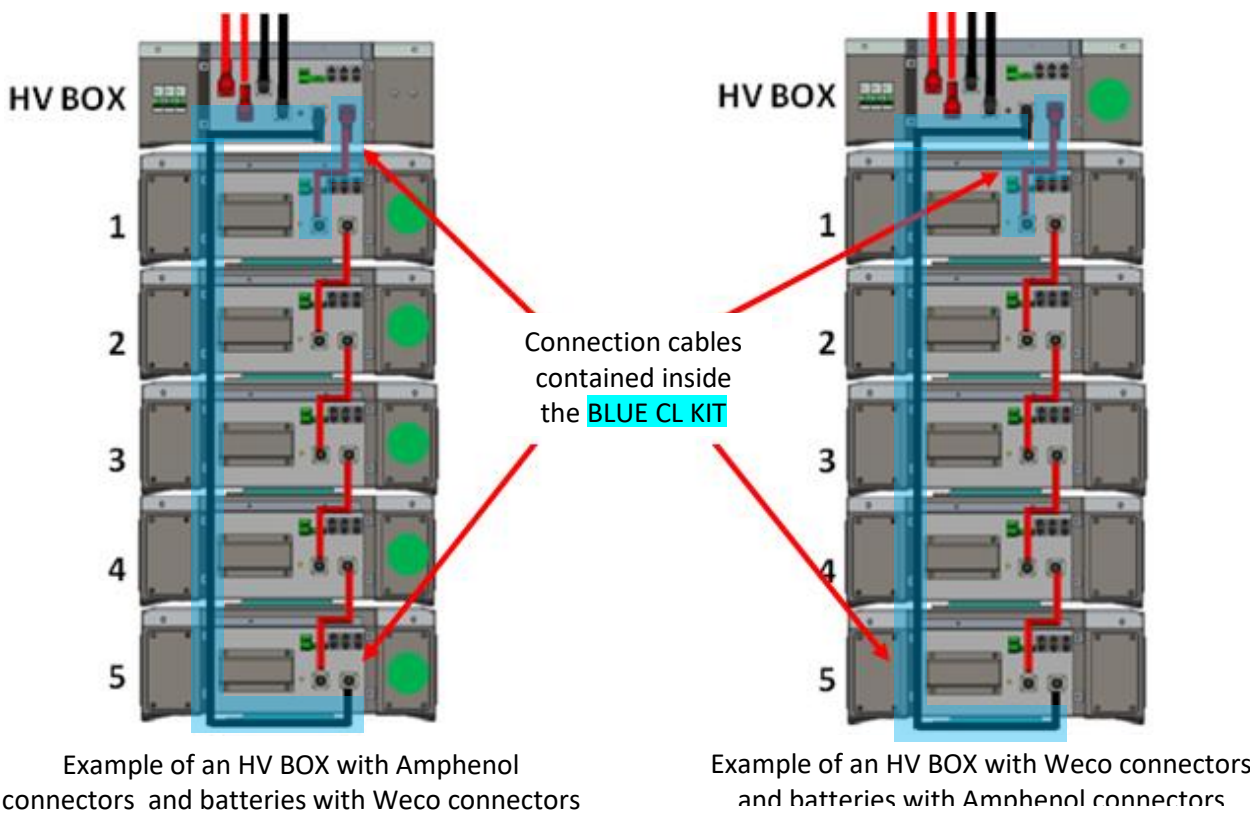
In the case where the installation involves the use of an HV BOX equipped with Weco connectors and all the batteries are equipped with Amphenol connectors (and vice versa), it is necessary to use the cable kit contained in this envelope (**Blue CL KIT**) .

This kit contains a 25 cm long cable and a 250 cm long cable equipped with an Amphenol connector on one end and a Weco connector on the other end.

The short cable will be used to connect the HV BOX to the first battery of the tower, while the long cable will be used to connect the HV BOX to the last battery.

The same procedure applies both in the event that the HV BOX has the green dot-shaped label and the batteries are all without it, and in the event that the dot-shaped label is absent on the HV BOX and present on all batteries.

Below is an example of such installations.



Remark: please do not refer to the color of the connector inside the kit, but only to its type, as the color of the male connector of the cable may not coincide with that of the female connector on the device.

5. How to realize the power connections between devices (batteries) mixed with green dot-shaped labels and without green dot-shaped labels?

In the case of "mixed" installations where there are batteries with and without a green dot-shaped labels on the packaging, it is necessary to request the **Yellow CC cable KIT** and refer to the relevant instructions.

For more information and assistance, you can call number +39 800 72 74 64 (active from Monday to Friday from 8.30 to 18.00 and on Saturday from 8.30 to 12.30) or send a request via the designated service form at www.zcsazzurro.com/EN section ASSISTANCE.